

Loewe Rack System TS.

Technical information.









Rack 110.30 TS

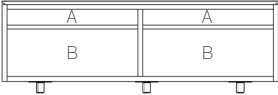
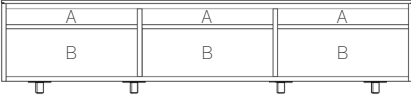


Rack 165.30 TS

Colors

	Model	Article no.	EAN Code	Model	Article no.	EAN Code
Silver Matt ¹	 Rack 110.30 TS	53482T00	4011880151184	 Rack 165.30 TS	53487T00	4011880151191
Black Matt ¹	 Rack 110.30 TS	53482W00	4011880151160	 Rack 165.30 TS	53487W00	4011880151221
White Matt ¹	 Rack 110.30 TS	53482U00	4011880151177	 Rack 165.30 TS	53487U00	4011880151207

General

Total dimensions (W x H x D in cm)	109 x 36 x 43	162 x 36 x 43
Interior dimensions (W x H x D in cm)	 A 51,5 x 6 x 34 B 51,5 x 18,6 x 34	 A 51,5 x 6 x 34 B 51,5 x 18,6 x 34
Solid front lid	•	•
Universal Top Cover	•	•
Height-adjustable stand	•	•
Space for equipment	2 ²	3 ²
Space for subwoofer	•	•
Hidden cable routing	•	•

• = included/installed

¹ Inside carcass always black.

² More without subwoofer.